

Direct Mount Type Split Body Flanged Ball Valve

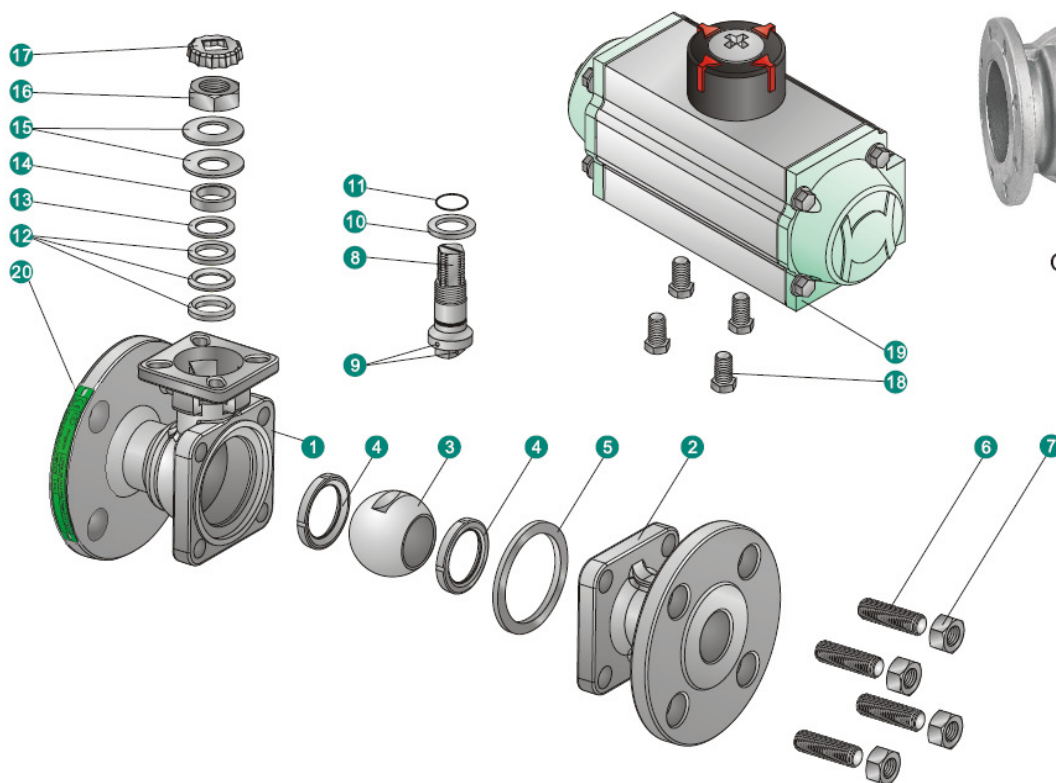
Standard	ANSI/ASME	DIN	JIS
Rating	B16.34 CLASS 150 (BS5351 CLASS 150) B16.34 CLASS 300 (BS5351 CLASS 300)	DIN 3357 PN10-PN40 EN 12516-1	B2001 10K B2001 20K
Face to Face	B16.10	DIN 3202 F4/F18 DIN 3202 F1/F17	B2002 10K Form 6 B2002 20K Form 10
Connection Facing	B16.5RF serrated Finish (AARH200)	DIN 2501 PN10-PN40 Facing DIN 2526 Form C	B2212 10K B2214 20K
Inspection & Testing	API 598, API 6D	DIN 3230/3, EN 12266	JIS B2003
Quality Assurance	ISO 9001, QS9000 AD 2000-Merkblatt W0 PED 97/23/EC CE 0036 API 6D	ISO 9001, QS9000 AD 2000-Merkblatt W0 PED 97/23/EC CE 0036 API 6D	ISO 9001, QS 9000 AD 2000-Merkblatt W0 PED 97/23/EC CE 0036 API 6D

AVAILABLE OPTIONS

- Other Alloy Steels are Available
- Casting per NACE/MR-01-75 for Sour Gas Service.
- Castings Approved by TÜV AD 2000 -Merkblatt W0 /EN10204 3.2 Form. (EN10204 3.1 Form is free)



OPTION: 5"-8"



MATERIAL OF CONSTRUCTION

NO	PART NAME	MATERIALS		
		ANSI / JIS / DIN	ANSI / JIS / DIN	ANSI / JIS / DIN
1	Body	A351-CF8M / SCS14A / 1.4408	A351-CF8 / SCS13A / 1.4308	A216-WCB / SCPH2 / 1.0619
2	End Cap	A351-CF8M / SCS14A / 1.4408	A351-CF8 / SCS13A / 1.4308	A216-WCB / SCPH2 / 1.0619
3	Ball	A351-CF8M / SCS14A / 1.4408	A351-CF8 / SCS13A / 1.4308	A351-CF8 / SCS13A / 1.4308
4	Ball Seat	TFM1600 / PTFE / RTFE		
5	Body Gasket	TFM1600/PTFE / 316 SPIRAL WOUND+GRAFOIL*		
6	Bolting	A193-B8		A193-B7
7	Bolt Nut	A194-8		A194-2H
8	Stem	SUS316		SUS304
9	Anti-Static Device	SUS316		SUS304
10	Thrust Washer	PTFE		
11	O-Ring	FKM (VITON)		
12	Stem Packing	PTFE / GRAFOIL*		
13	Bushing	50%SS+50%PTFE / SUS304*		
14	Gland	SUS316		
15	Belleville Washer	SUS301		
16	Stem nut	A194-8		
17	Stop-lock-cap	SUS304		
18	Hex Bolting	A193-B8		
19	Actuator	Pneumatic KP / Electric KQ		
20	Nameplate	SUS304		

*Materials for KV-L60 (Fire Safe Models)

KV-L4J KV-L4K KV-L4M KV-L4N (Direct Mount Standard Type)
 KV-L6J KV-L6K KV-L6M KV-L4N (Direct Mount Fire Safe Type)

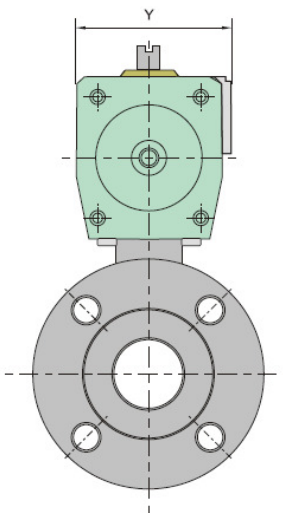
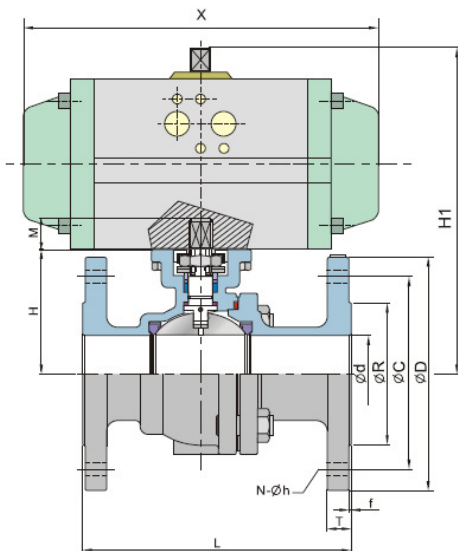
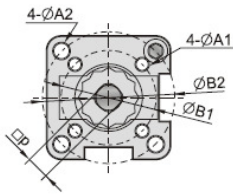
DIN PN10-40
 2-PC Body, Flanged Ends, Full Port

DESIGN FEATURES:

- Built-in ISO 5211 Direct Mounting Pad for Easy Automation
- **Fire Safe** Design Approved
- Anti-static Devices for Ball-Stem-Body
- Blow-out Proof Stem
- Pressure Balance Hole in Ball Slot
- **TA-LUFT** Design Approved
- Casting Boss on Body for Draining
- Options: 1. Actuator 2. Limit Switch 3. Positioner

APPLICABLE STANDARDS:

- Design Rating: DIN 3357 / 1,2, EN 12516-1
- Fire Design: API 607 5th 2005 , ISO 10497
- Face to Face:
 DIN 3202 F17 (F1 DN15-DN100 / F7 DN125-DN200)
 F18 (F4 DN15-DN100 / F5 DN125-DN200)
- Wall Thickness: ASME B16.34, EN12516-1
- Flanged Ends : DIN 2501 PN10-PN40
- Inspection & Testing: DIN 3230/3, EN 12266



■ DIN PN10/16/25/40 (F1/F7, F4/F5)

Unit: mm

SIZE	PN	φd	L	*L	φR	φD	φC	f	T	N	φh	H	H1	M	P	A1	A2	B1	B2	X	Y	ISO 5211	P-Actuator	E-Actuator	Pressure	
DN15	1/2"	10-40	15.0	115	130	45	95	65	2	16	4	14	48.0	145.0	9	9	6	6	36	42	144	72	F03-F04	KP50	KQ006	80PSI
DN20	3/4"	10-40	20.0	120	150	58	105	75	2	18	4	14	53.0	150.0	9	9	6	6	36	42	144	72	F03-F04	KP50	KQ006	80PSI
DN25	1"	10-40	25.0	125	160	68	115	85	2	18	4	14	58.5	168.5	11	11	6	7	42	50	164	84	F04-F05	KP63	KQ006	80PSI
DN32	1-1/4"	10-40	32.0	130	180	78	140	100	2	18	4	18	71.0	181.0	11	11	6	7	42	50	164	84	F04-F05	KP63	KQ006	80PSI
DN40	1-1/2"	10-40	38.0	140	200	88	150	110	3	18	4	18	76.0	204.0	14	14	7	9	50	70	208	96	F05-F07	KP75	KQ008	80PSI
DN50	2"	10-40	50.0	150	230	102	165	125	3	20	4	18	85.0	209.0	14	14	7	9	50	70	208	96	F05-F07	KP75	KQ008	80PSI
DN65	2-1/2"	10/16/25/40	63.5	170	290	122	185	145	3	18	4	18	101.5/107.0	243.5	17	17	9	11	70	102	247	108	F07-F10	KP88	KQ015	80PSI
DN80	3"	10/16/25/40	76.0	180	310	138	200	160	3	20	8	18	111.5/117.0	265.5	17	17	9	11	70	102	268	123	F07-F10	KP100	KQ015	80PSI
DN100	4"	10/16/25/40	100.0	190	350	158	220	180	3	20	8	18	140.0	335.0	22	22	N/A	11	N/A	102	345	151	F10	KP125	KQ020	80PSI
DN125	5"	10/16/25/40	125.0	325	400	188	250	210	3	22	8	18	183.0	414.0	27	27	14	N/A	125	N/A	450	202	F12	KP160	KQ030	80PSI
DN150	6"	10/16/25/40	150.0	350	450	212	285	240	3	22	8	22	204.0	435.0	27	27	14	N/A	125	N/A	450	202	F12	KP160	KQ030	80PSI
DN200	8"	10/16/25/40	200.0	400	550	268	340	295	3	24	30	22	252.5	555.5	27	27	14	N/A	125	N/A	545	224	F14	KP200	KQ050	80PSI
						278	360	310	3	24	12	22														
						285	375	320	3	34	34	26														

KV-L4J, KV-L6J – **PN10**
KV-L4K, KV-L6K – **PN16**

KV-L4M, KV-L6M – **PN25**
KV-L4N, KV-L6N – **PN40**

"L" for Series F4/F5
 "L" for Series F1/F7