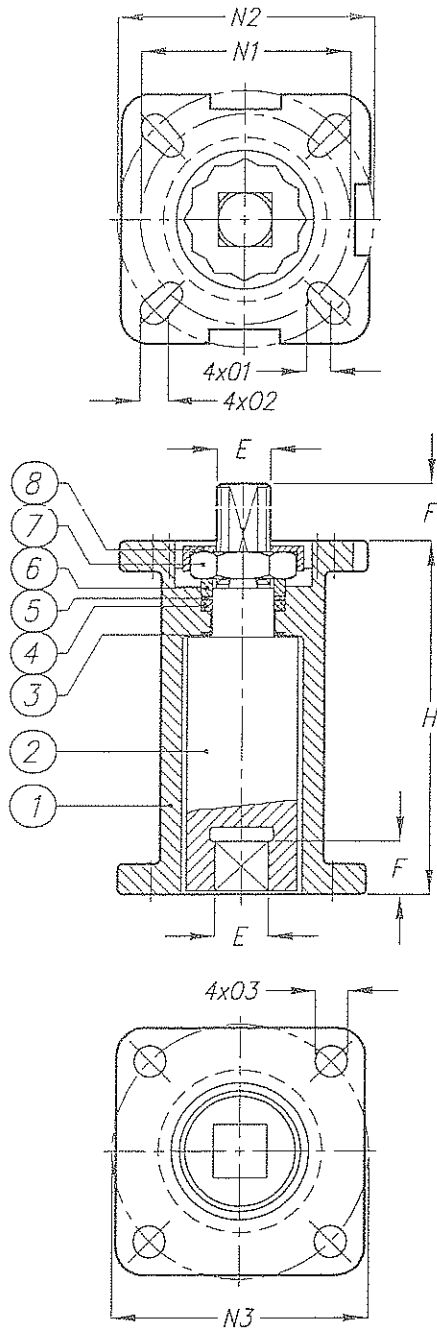


STEM EXTENSION OF STAINLESS STEEL

TOP-FLANGE ACC. TO ISO 5211 (DIRECT MOUNT)



7245 - 7285	DN	SIZE
	1/2"	1
	3/4"	2
	1"	3
	1.1/4"	4
	1.1/2"	5
	2"	5
	2.1/2"	6
	3"	6
	4"	7
	5"	8
	6"	8
	8"	8

7249 - 7289	DN	SIZE
	15	1
	20	1
	25	3
	32	3
	40	5
	50	5
	65	6
	80	6
	100	7
	125	8
	150	8
	200	8

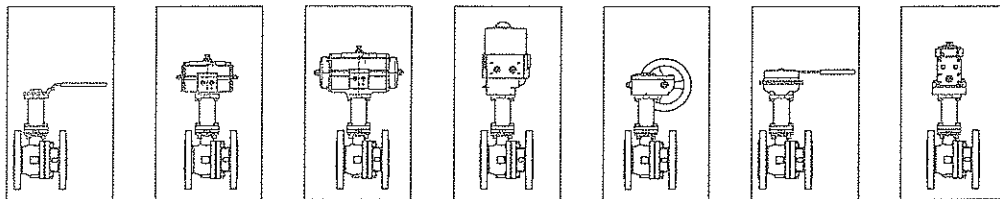
7444 - 7544 - 7644	DN	SIZE
	1/4"	1
	3/8"	1
	1/2"	1
	3/4"	2
	1"	3
	1.1/4"	4
	1.1/2"	5
	2"	5
	2.1/2"	6
	3"	6
	4"	7

7752ISO	DN	SIZE
	1/4"	1
	3/8"	1
	1/2"	1
	3/4"	2
	1"	3
	1.1/4"	4
	1.1/2"	5
	2"	5
	2.1/2"	6
	3"	6
	-	-

7760	DN	SIZE
	1/4"	1
	3/8"	1
	1/2"	1
	3/4"	2
	1"	3
	1.1/4"	4
	1.1/2"	5
	2"	5
	-	-
	-	-
	-	-

POS	NAME	MATERIAL
1	BODY	1.4308
2	STEM	1.4301
3	BEARING BUSH	TFM1600
4	GASKET	PFFE
5	BUSH	50%SS+50%PTFE
6	GLAND	1.4301
7	NUT	1.4301 (A194-8)
8	LOCK WASHER	1.4301

SIZE	E	F	H	ØN1	ØN2	ØN3	ØO1	ØO2	ØO3
1	9	9	100	36	42	42	6	6	6
2	9	9	100	36	50	50	6	7	7
3	11	11	100	42	50	50	6	7	7
4	11	11	100	42	70	70	6	9	9
5	14	14	100	50	70	70	7	9	9
6	17	17	100	70	102	102	9	11	11
7	22	22	100	-	102	102	-	11	11
8	27	27	120	-	125	125	-	14	14



DATE:
31-05-2006

REV. DATE:

DRAWN:
RTH

CHECKED:
AG

DWG. Nr.:

REV.: