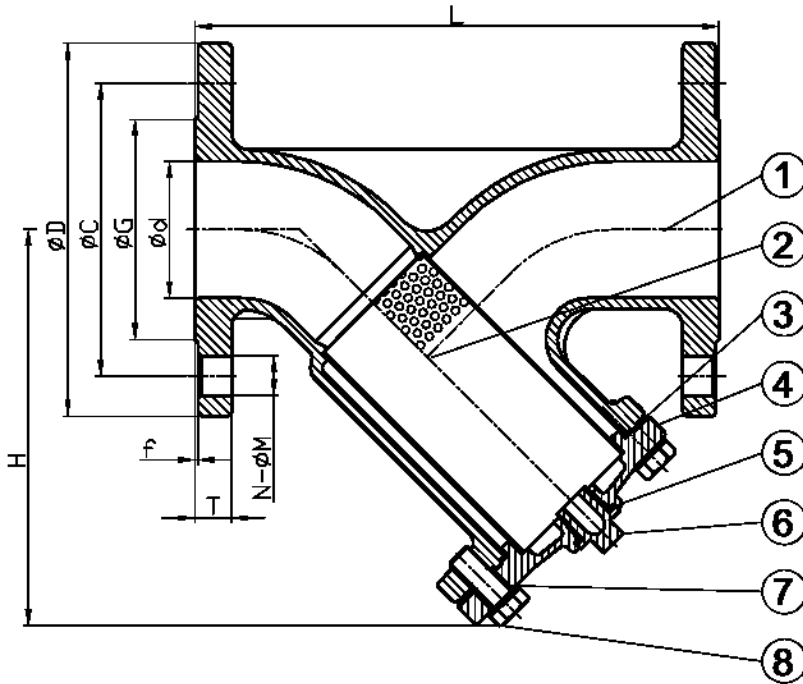


Nominal Pressure: PN 16
Face to face acc. to EN558-1 R1
Flanges acc. to DIN EN 1092-1 B1
Body in Y-Form: Stainless Steel (1.4408)
Screen: Stainless Steel (AISI 316)
Gasket: PTFE
exchangeable Screens (Normal- and fine screen)
Access panel with drain plug

Nominal Diameter	Nominal Pressure	Article number
DN15	PN16	SF-WAYFL-15-16
DN20	PN16	SF-WAYFL-20-16
DN25	PN16	SF-WAYFL-25-16
DN32	PN16	SF-WAYFL-32-16
DN40	PN16	SF-WAYFL-40-16
DN50	PN16	SF-WAYFL-50-16
DN65	PN16	SF-WAYFL-65-16
DN80	PN16	SF-WAYFL-80-16
DN100	PN16	SF-WAYFL-100-16
DN125	PN16	SF-WAYFL-125-16
DN150	PN16	SF-WAYFL-150-16



Material of Construction

No.	Part Name	Material DIN
1	Body	1.4408
2	Screen	AISI316
3	Gasket	PTFE
4	Bonnet	1.4408
5	O-Ring	PTFE
6	Stopper	1.4408
7	Spring Washers	AISI304
8	Bonnet Bolt	AISI304

Dimensions in mm

Nominal Diameter	Ød	L	ØG	ØD	ØC	f	T	N	Øh	H	Weight Kg	Mesh width	
												Normal	Fine
DN15	15	130	45	95	65	2	14	4	14	85	2,30	1,5	0,25
DN20	20	150	58	105	75	2	16	4	14	87	2,98	1,5	0,25
DN25	25	160	68	114	85	2	16	4	14	114	3,75	1,5	0,25
DN32	32	180	78	140	100	2	16	4	18	114	5,54	1,5	0,25
DN40	38	20	88	150	110	3	16	4	18	135	6,32	2	0,25
DN50	50	230	102	165	125	3	18	4	18	155	8,82	2	0,25
DN65	63,5	290	122	185	145	3	18	4	18	189	14,20	2	0,25
DN80	76	310	138	200	160	3	20	8	18	200	17,12	2	0,25
DN100	100	350	158	220	180	3	20	8	18	232	24,00	2	0,25
DN125	125	400	188	250	210	3	22	8	18	274	38,00	2	0,25
DN150	150	480	212	285	240	3	22	8	22	326	43,00	2	0,25