



Safety function

Compact and flexible limit switch box
Assembly on actuators acc. to VDI/VDE 3845
Enclosure acc. to DIN EN 60529: IP 67
Cable gland M 20 x 1,5
Sealings: EPDM and NBR
Screws and stem in stainless steel

Type EVE = Body in Vestamide

EVE-2S01-28-IA

Type EAE = Body in Aluminium

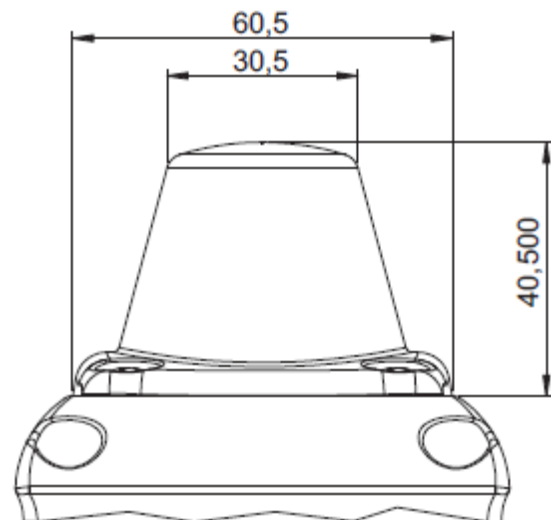
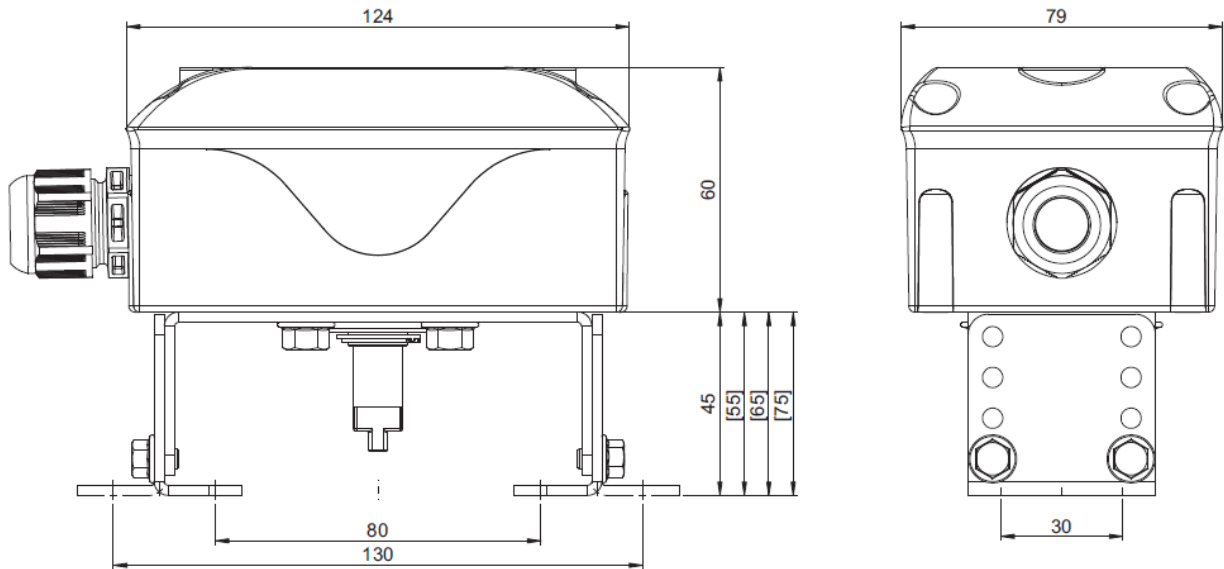
EAE-2S01-28-IA

Optional:

3D visual indicator

2 cable glands

Intrinsically safe, inductive slot type sensors



Technical data	
Producer switch	Pepperl + Fuchs
Switch type	SJ3,5-SN (opener N.C.) Safety function
Voltage	8V DC
Current consumption	<1 mA >3 mA
Frequency	3000 Hz
ATEX	Ex II 2G Ex ia IIC T6 Gb Ex II 2D Ex ia IIIC T08°C Db
Ex-Zone	Zone 1, Zone 21
Temperature range	-25°C ... +70°C

