

## Limit switch box EVE/EAE-2I01-IA Inductive proximity switches



Compact and flexible limit switch box  
Assembly on actuators acc. to VDI/VDE 3845  
Enclosure acc. to DIN EN 60529: IP 67  
Cable gland M 20 x 1,5  
Sealings: EPDM and NBR  
Screws and stem in stainless steel



Type EVE = Body in Vestamide

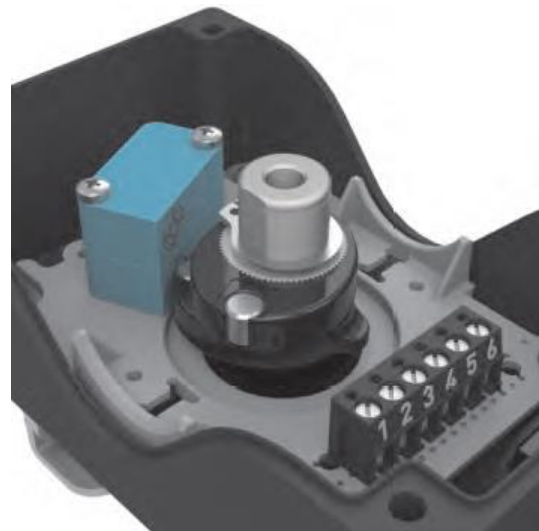
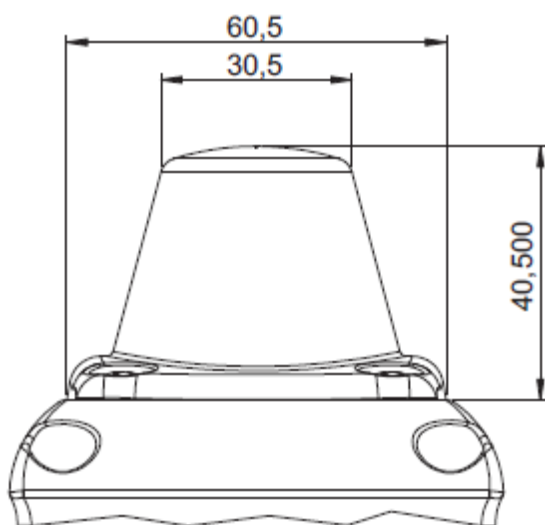
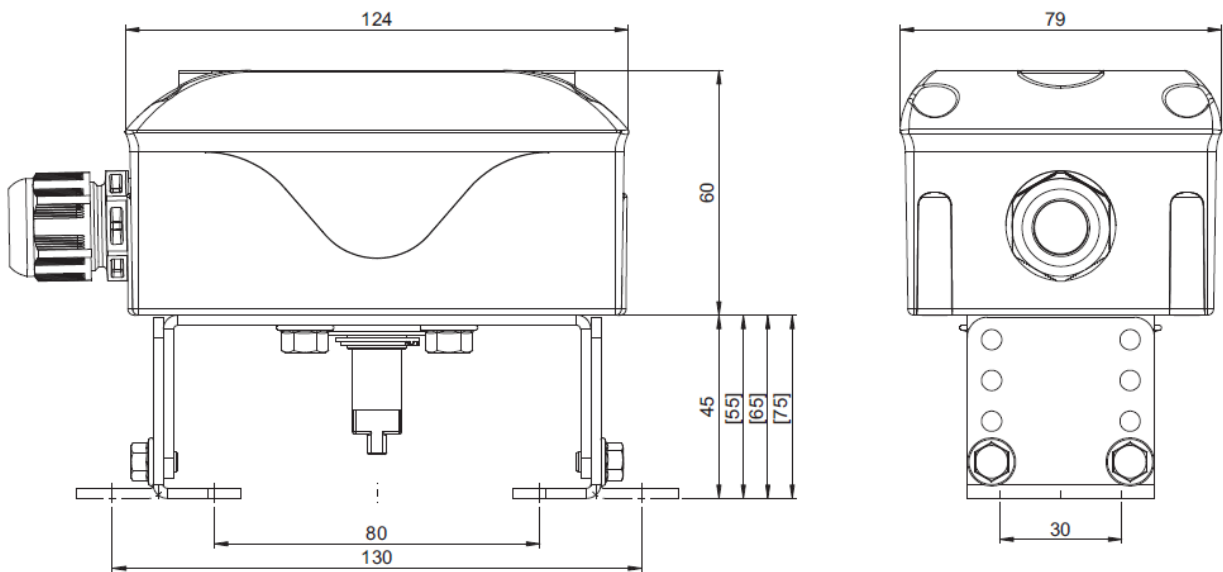
**EVE-2I01-ia**

Type EAE = Body in Aluminium

**EAE-2I01-ia**

Optional:  
3D visual indicator  
2 cable glands





Technical data	
Producer switch	Pepperl + Fuchs
Switch type	NJ2-V3-N (opener N.C)
Voltage	8,2V DC
Current consumption	<1 mA
Frequency	1000 Hz
ATEX	Ex II 2G Ex ia IIC T6 Gb Ex II 2D Ex ia IIIC T80°C Db
Ex-Zone	Zone 1, Zone 21
Temperature range	-25°C ... +70°C

