



**Nominal Pressure: PN 63**  
**Form: Female Threads on all sides acc. to DIN 2999**  
**Body: Stainless Steel (CF8M)**  
**Ball: Stainless Steel (CF8M)**  
**Ball Seats: TFM 1600**  
**with L- or T-Bore**  
**Blow-out Proof Stem in Stainless Steel**  
**Anti-Static-Device**  
**Operation: lockable Handlever,**  
**optional with gearbox with handwheel**

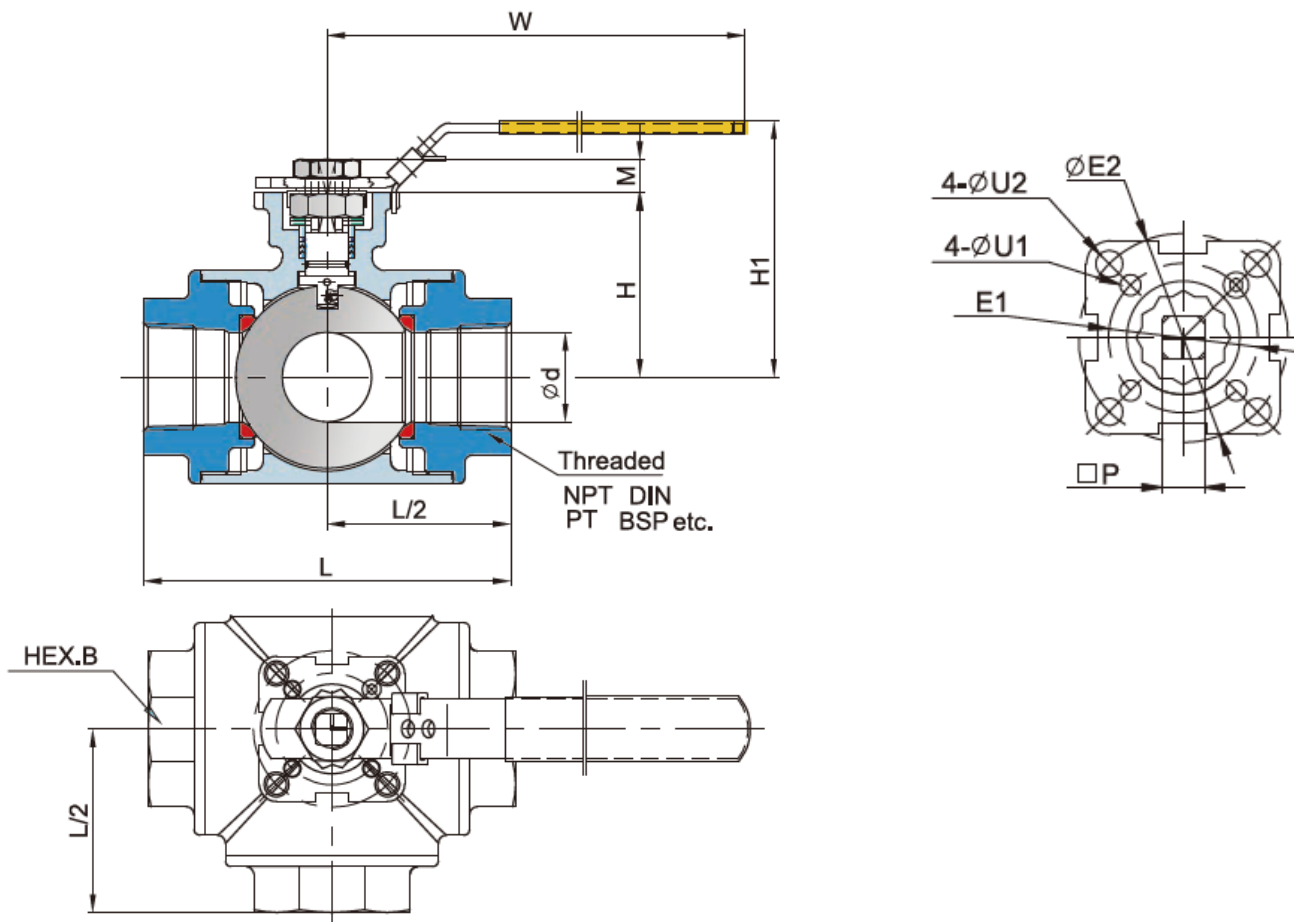
### Certificates/Tests:

ATEX, TA-Luft VDI 2440, AD 2000, SIL, LR, DNV-GL, BV, TR CU 010

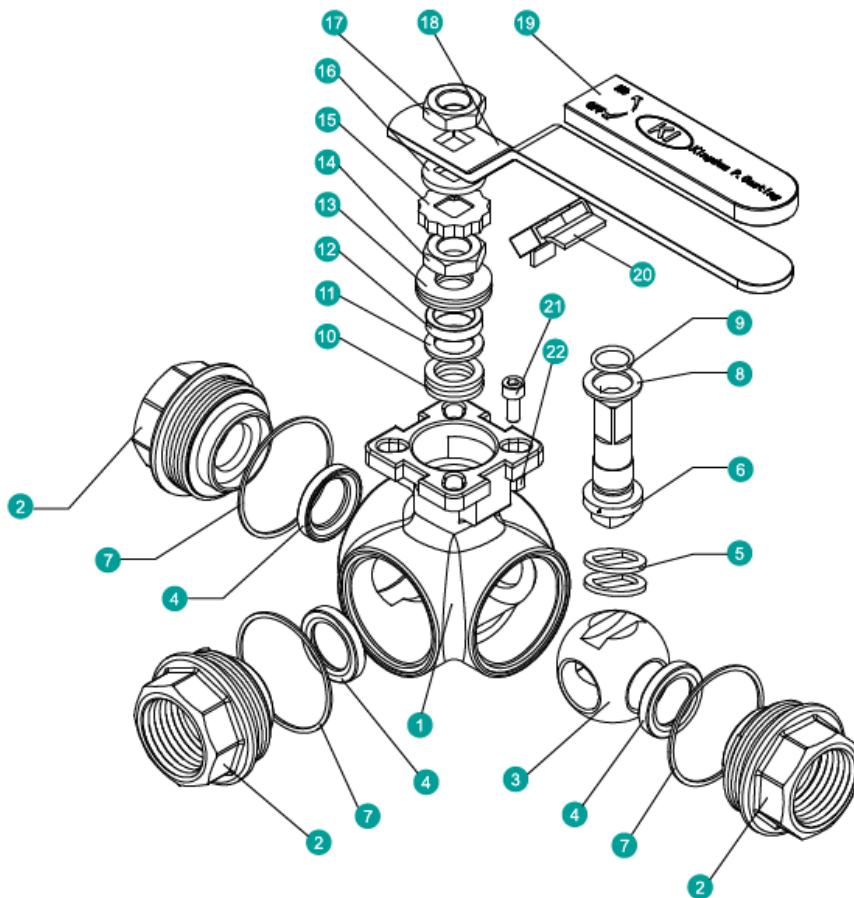
Nominal Diameter	Nominal Pressure	Article number with L-Bore	Article number with T-Bore
DN8	PN63	KH-WA-IG3W-8-EL	KH-WA-IG3W-8-ET
DN10	PN63	KH-WA-IG3W-10-EL	KH-WA-IG3W-10-ET
DN15	PN63	KH-WA-IG3W-15-EL	KH-WA-IG3W-15-ET
DN20	PN63	KH-WA-IG3W-20-EL	KH-WA-IG3W-20-ET
DN25	PN63	KH-WA-IG3W-25-EL	KH-WA-IG3W-25-ET
DN32	PN63	KH-WA-IG3W-32-EL	KH-WA-IG3W-32-ET
DN40	PN63	KH-WA-IG3W-40-EL	KH-WA-IG3W-40-ET
DN50	PN63	KH-WA-IG3W-50-EL	KH-WA-IG3W-50-ET

### Flow Pattern

		L-Bohrung	T-Bohrung			
Position	90°					
	0°					
Schaltstellung		L	T1	T2	T3	T4



Dimensions in mm															
Nominal Diameter		Ød	L	H	H1	W	M	P	E1	E2	U1	U2	HEX.B	kg / L	kg / T
DN8	1/4"	11	79	43,0	73,0	147,0	9	9	36	42	6	6	22	0,86	0,84
DN10	3/8"	11	79	43,0	73,0	147,0	9	9	36	42	6	6	23,5	0,83	0,82
DN15	1/2"	11	79	43,0	73,0	147,0	9	9	36	42	6	6	27	0,77	0,76
DN20	3/4"	15	88	49,0	79,0	147,0	9	9	36	50	6	7	34	1,05	1,03
DN25	1"	20	108	59,5	94,0	177,0	11	11	42	50	6	7	41	1,88	1,8
DN32	1 1/4"	25	124	63,0	93,0	177,0	11	11	42	70	6	9	50	3,07	3,01
DN40	1 1/2"	32	135	73,5	105,0	215,0	14	14	50	70	7	9	56	4,26	4,12
DN50	2"	40	164	82,8	115,0	215,0	14	14	50	70	7	9	70	7,1	7,02



Material of Construction					
No.	Part Name	Material	No.	Part Name	Material
1	Body	CF8M (1.4408)	12	Gland	316
2	End Cap	CF8M (1.4408)	13	Belleville Washer	301
3	Ball	CF8M	14	Stem Nut	A194-8
4	Ball Seat	TFM 1600	15	Stop-lock Cap	304
5	Washer	316	16	Handle Gland	304
6	Stem (Anti-Static)	316	17	Handle Nut	A194-8
7	Body Gasket	PTFE	18	Handle	304
8	Thrust Washer	PTFE	19	Handle Sleeve	Vinyl Plastic
9	O-Ring	FKM	20	Locking Device	304
10	Packing	PTFE	21	Stop Bolt	A2-70
11	Bushing	304	22	Stop Nut	A2-70