



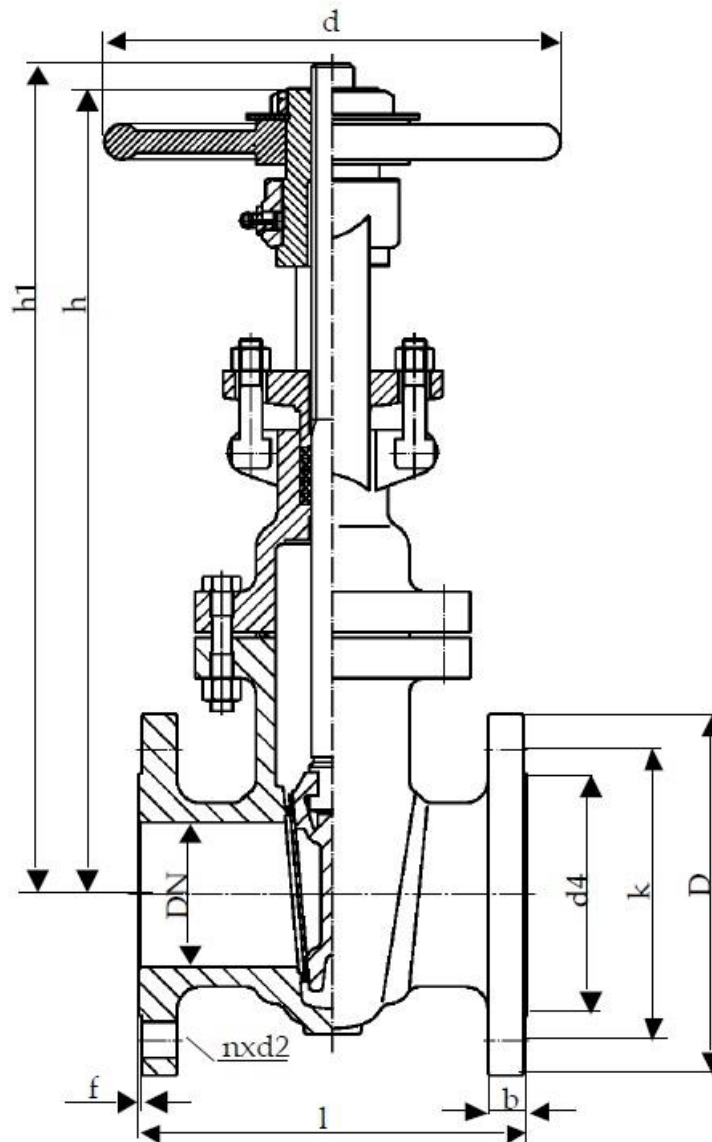
Nominal Pressure: PN 16
Face to face acc. to DIN EN 558-1, R 14
Flanges acc. to DIN EN 1092-1 B1
Form acc. to DIN 3352
Body and bonnet: carbon steel (1.0619)
flexible wedge: carbon steel (1.0619)
seat: X20Cr13 (1.4021)
with outside rising stem
Operation: handwheel

Approvals/certificates: TA-Luft optional

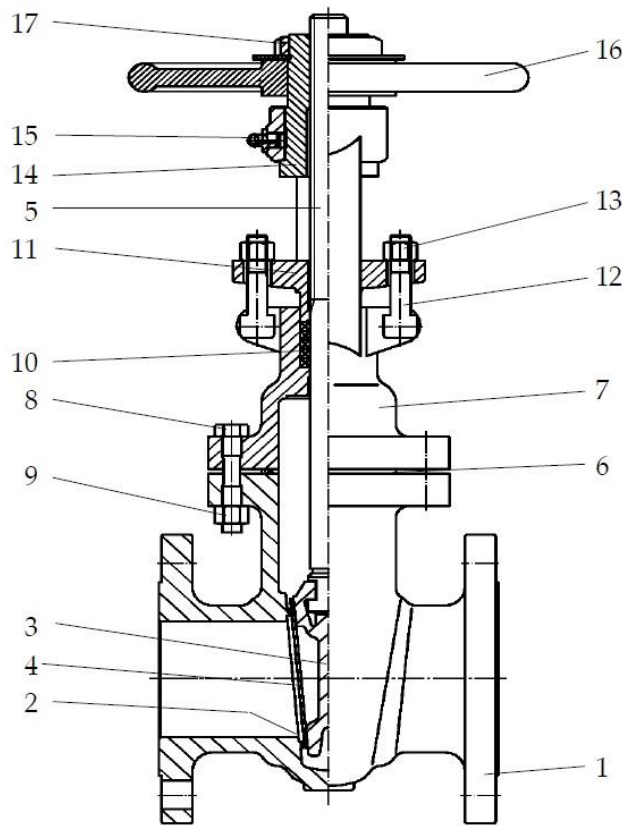
Nominal Diameter	Nomina Pressure	Article number
DN50	PN16	SCH-052-50-16
DN65	PN16	SCH-052-65-16
DN80	PN16	SCH-052-80-16
DN100	PN16	SCH-052-100-16
DN125	PN16	SCH-052-125-16
DN150	PN16	SCH-052-150-16
DN200	PN16	SCH-052-200-16
DN250	PN16	SCH-052-250-16
DN300	PN16	SCH-052-300-16
DN350	PN16	SCH-052-350-16

- 10°C up to	Max. working pressure (bar) to °C	
	neutr. liquids	neutr. gases
+200°C	10 bar	10 bar
+300°C	8 bar	8 bar
+400°C	6 bar	6 bar

DN 50 - 150



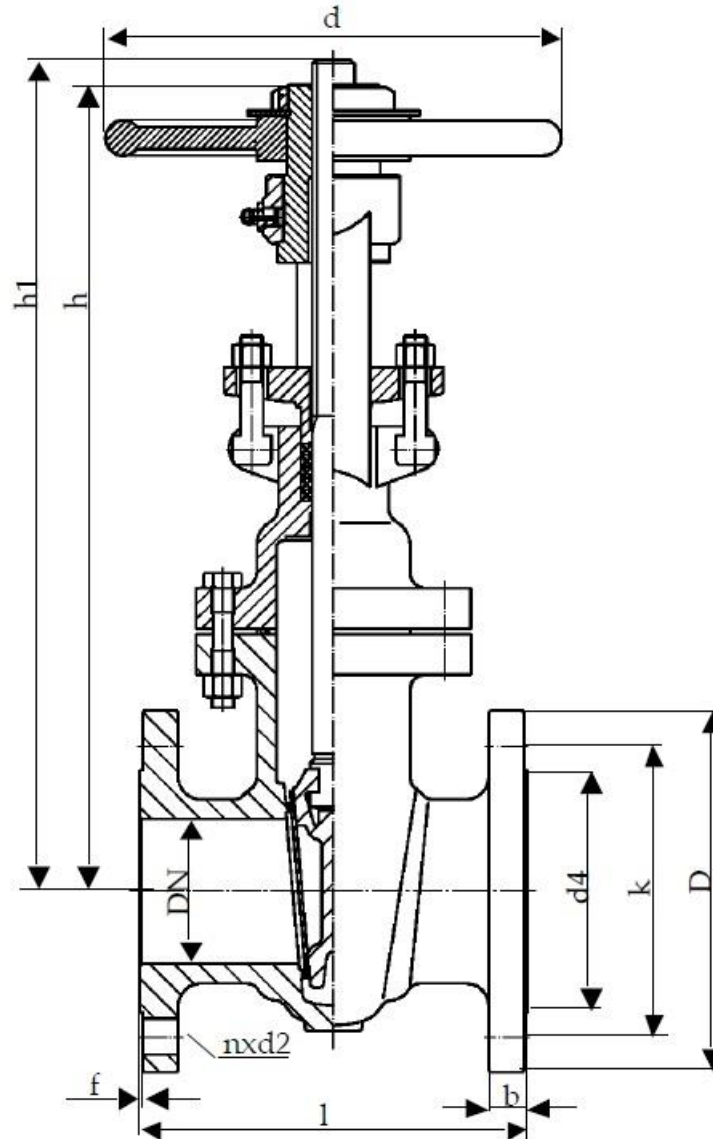
Ø DN (mm)	D	k	d4	d	l	h	h1	n	d2	b	f	U/Hub	Kg	Nm
50	165	125	102	200	150	325	390	4	18	18	3	16,5	16,0	50
65	185	145	122	200	170	375	455	4	18	18	3	20	20,5	60
80	200	160	138	250	180	420	520	8	18	20	3	20,5	29,0	80
100	220	180	158	250	190	480	580	8	18	20	3	22,5	32,5	100
125	250	210	188	250	200	535	680	8	18	22	3	28,5	47,5	120
150	285	240	212	300	210	600	760	8	22	22	3	34	62,0	140



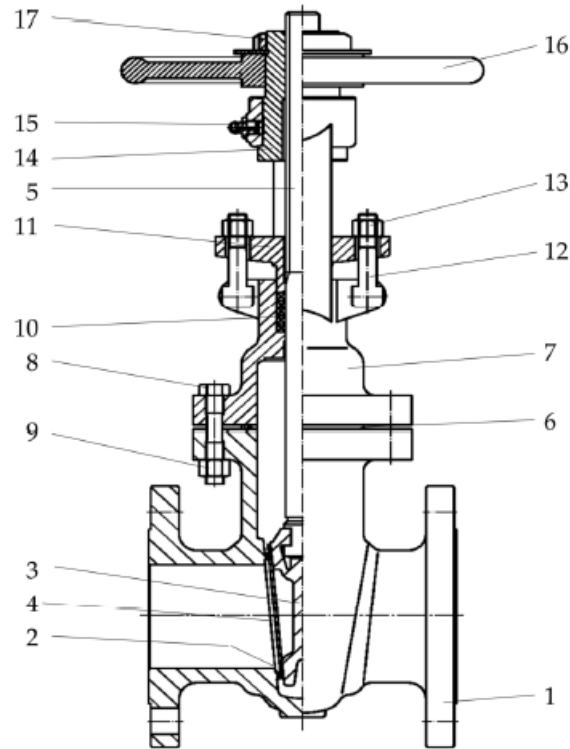
Parts / Materials

Pos.	Part Name	Material	mat.-no.
1	Body	GP240GH+N	1.0619
2	Body seat	X15Cr13	1.4024
3	Wedge	GP240GH+N	1.0619
4	Wedge seat	X15Cr13	1.4024
5	Stem	X20Cr13	1.4021
6	TA-Luft gasket	Stainless steel+Graphite	/
7	Bonnet	GP240GH+N	1.0619
8	Hexagon screw	24CrMo5	1.7258
9	Hexagon nut	Ck35	1.1181
10	Packing	Graphite	/
11	Gland flange	GP240GH+N	1.0619
12	T-head bolt	24CrMo5	1.7258
13	Hexagon nut	Ck35	1.1181
14	Threaded bush	GJS-400-25	0.7040
15	Lubricating nipple	-	3404
16	Handwheel	GJS-400-15	0.7040
17	Hexagon nut	C35	1.0501

DN 200-350



Ø DN (mm)	D	k	d4	d	l	h	h1	n	d2	b	f	U/Hub	Kg	Nm
200	340	295	268	360	230	710	930	8	22	24	3	44	90,0	160
250	395	350	320	400	250	850	1130	12	22	26	3	45,5	131,5	180
300	445	400	370	450	270	990	1320	12	22	26	4	52,5	176,0	200
350	505	460	430	560	290	1155	1230	16	22	26	4	54	265,0	260



Parts / Material

Pos.	Part Name	Material	Wst.-No.
1	Body	GP240GH+N	1.0619
2	Body seat	Stellite	-
3	Wedge	GP240GH+N	1.0619
4	Wedge seat	X15Cr13	1.4024
5	Stem	X20Cr13	1.4021
6	TA-Luft Gasket	Stainless steel+Graphite	/
7	Bonnet	GP240GH+N	1.0619
8	Hexagon screw	24CrMo5	1.7258
9	Hexagon nut	Ck35	1.1181
10	Packing	Graphite	/
11	Gland flange	GP240GH+N	1.0619
12	T-head bolt	24CrMo5	1.7258
13	Hexagon nut	Ck35	1.1181
14	Threaded bush	GJS-400-15	0.7040
15	Lubricating nipple	/	3404
16	Handwheel	GJS-400-15	0.7040
17	Hexagon nut	C35	1.0501